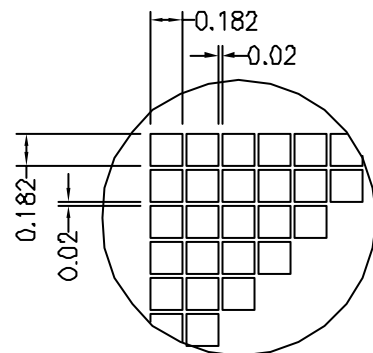


注意：

1.走线要有抗EL背光之强静电干扰能力,底色要偏青(不能偏黄)、且为“光面”效果(不能磨砂效果)

DISPLAY TYPE: FSTN/NEGATIVE
POLARIZER: TRANSMISSIVE
VIEWING DIRECTION: 6.00-CLOCK
DRIVE METHOD: 1/65DUTY,1/9BIAS
OPERATING VOLTAGE: 8.0v
OPERATING TEMP: -20 TO 70 Deg.C
STORAGE TEMP: -30 TO 80 Deg.C
CONNECTOR: COG&FPC



A